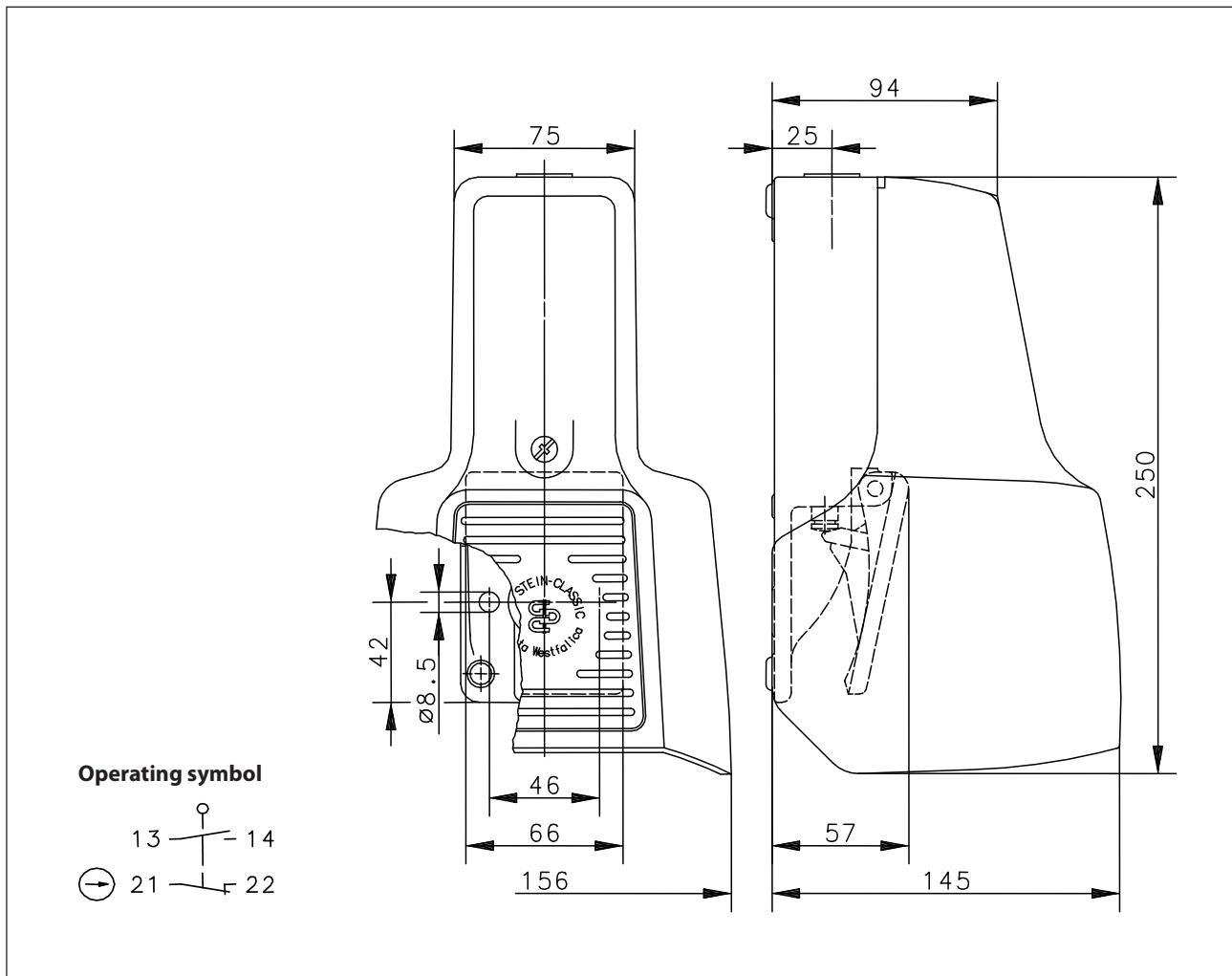


**Foot-switch**  
Series F1

Description **F1-SU1Z LS22 UN**

Article number **6061800436**



Electrical data-Built-in switch		
Rated insulation voltage	$U_i$	400 V AC
Conv. thermal current	$I_{the}$	10 A
Rated operational voltage	$U_e$	240 V
Utilization category		AC-15, $U_e$ 240 V / $I_e$ 3 A
Direct opening action	$\ominus$	acc. to IEC/EN 60947-5-1, Annex K
Short-circuit protective device		Fuse 2 A gG
Protection class		I

Electrical data - Power contactor		
Rated insulation voltage	$U_i$	690 V AC
Rated operational current	$I_e$	16 A @ 400 V AC @ AC-1 8,4 A @ 400 V AC @ AC-2 and AC-3
Rated operational voltage	$U_e$	230 V AC @ 50 Hz
Rated operational power		7 VA
Ambient air temperature		-25 °C ... +55 °C
Contact type		3 N.O, 1 N.C
Connection		screw terminals (M3)
Conductor cross-sections	Solid:	2 x 0,5 – 2,5 mm <sup>2</sup> , 1 x 4 mm <sup>2</sup> 2 x 20-14 AWG, 1 x 12 AWG
	Wire with ferrules:	2 x 0,5 – 1,5 mm <sup>2</sup> 1 x 2,5 mm <sup>2</sup>

Mechanical Data	
Enclosure	AL, die-cast
Protective guard (Accident protection cover UN)	AL, die-cast
Actuator	Foot lever (PA)
Ambient air temperature	-30 °C ... +80 °C
Contact type	1 N.C. / 1 N.O. (Zb)
Operating force	≈ 10 N (pedal centre)
Mechanical life	10 x 10 <sup>6</sup> switching cycles
Switching frequency	≤ 50/min
Assembly	2 x M8
Connection	Screw connections (M3,5)
Number of connections	4
Protection ground	2 x M4
Conductor cross-sections	Solid: 0,5 ... 1,5 mm <sup>2</sup> Litz wire with ferrules: 0,5 ... 1,5 mm <sup>2</sup>
Cable entry size	1 x M20 x 1,5
Weight including protective guard	≈ 1,5 kg
Protection type	IP 65 acc. to IEC/EN 60529

ID for safety engineering	
B10d	20 x 10 <sup>6</sup> cycles

Standards	
	VDE 0660 T100, DIN EN 60947-1, IEC 60947-1
	VDE 0660 T200, DIN EN 60947-5-1, IEC 60947-5-1
	DIN EN ISO 13849-1

EU Conformity	
	acc. to directive 2014/35/EU (Low-Voltage-Directive)

Approvals	
	cCSA <sub>US</sub> A300 (same polarity)
	CCC

**Notes**

The degree of protection (IP code) specified applies only to a properly closed protective guard and in connection with the appropriate cable glands or blind plugs.